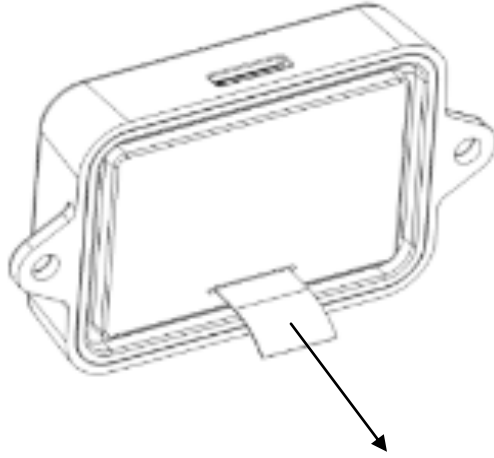




For LPG Tank ✓ Monitor Users:

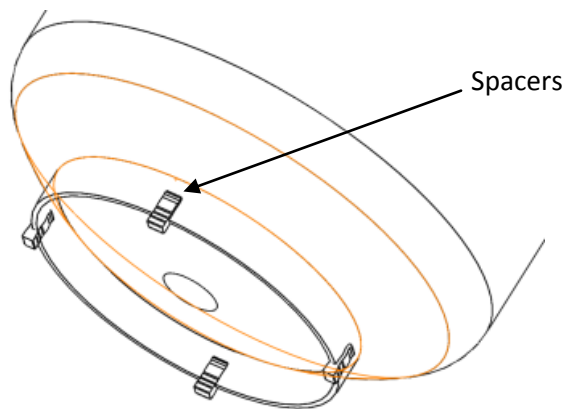
6. Pull the battery protection strip completely out of monitor and discard. This will turn on the monitor.



7. Hold one of the buttons on your Monitor until the lights for that button start flashing (approx 5 seconds). Release button when lights start flashing.
8. While the lights are flashing, press the sensor SYNC button a minimum of 6X quickly. *Note: The first 5X awaken the sensor from sleep mode. It is only in sleep mode from the factory. Once awake, the sensor will never go into sleep mode again; and only 1 press is required to re-SYNC or connect to a new device.*
9. The monitor lights will stop flashing and the sensor is now synced with the monitor.
10. Repeat steps to sync the second sensor to the 2nd button/gauge of the monitor. NOTE: For easy reference, the buttons on the display are colored green & black to correspond to the colored labels on each sensor.
11. Both sensors are now sync'd to the monitor. You are now ready to install the sensor(s) on the tank(s).

Install Sensor on Tank

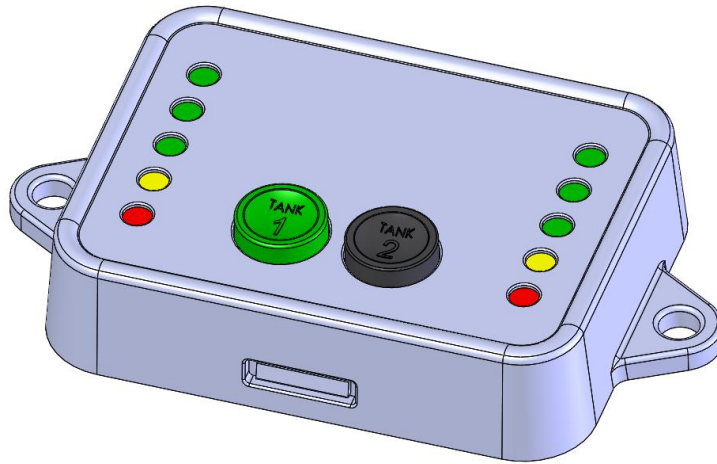
12. Clean the bottom of the tank of any debris, excess paint, and rust.
13. If your tank sits directly on the ground or other flat surface, then you will need to install the LPG Tank ✓ spacers to the bottom of the foot ring of your tank. This will provide adequate space and improved wireless range for the sensor.





CHANGING TANK SIZE ON PROGRAMMABLE MONITOR

The 2nd generation stand alone monitor is programmable, allowing you to choose your tank size: 20 lb (5 gal), 30 lb (7.5 gal), or 40 lb (10 gal).



It is automatically set to 20 lb size from the factory. To change the size setting, hold the button of the scale you want to change for 10 seconds. (After 5 seconds lights will start flashing, as when syncing. But continue to hold button until lights change again.)

At 10 seconds, a single light will appear. Continue to hold button. The single light will scroll between red, yellow, and green. When the color corresponding to your tank size appears, release the button. Your tank size is now set.

Red = 20 lb

Yellow = 30 lb

Green = 40 lb

2nd Generation Monitor Identifier

2nd generation will have a serial number label on the back of the display, in a QR code format. Normal bar code format or no label indicates that it is a first generation monitor.



QR Format